

37° FLARE TUBE FITTINGS

T A P E R E D P I P E T H R E A D

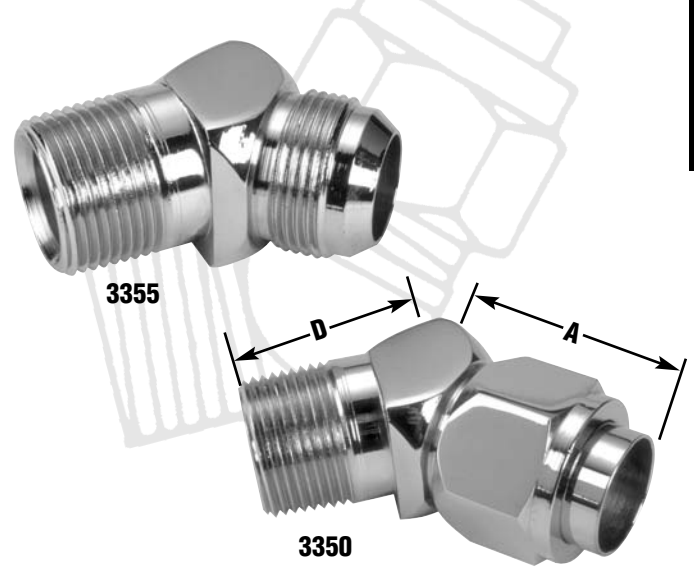
37° FLARE TUBE FITTINGS

3355 / 3350 • Male 45° Elbow

Body Only Part No.	Complete Assembly Part No.	Tube O.D.	Male Pipe Thread	"A" Tube Leg	"D" Male Pipe Leg
3355-2-2	3350-2-2	1/8"	1/8"	31/32"	17/32"
3355-3-2	3350-3-2	3/16"	1/8"	11/32"	17/32"
3355-4-2	3350-4-2	1/4"	1/8"	13/32"	5/8"
3355-4-4	3350-4-4	1/4"	1/4"	15/32"	27/32"
3355-5-2	3350-5-2	5/16"	1/8"	15/32"	5/8"
3355-5-4	3350-5-4	5/16"	1/4"	17/32"	27/32"
3355-6-4	3350-6-4	3/8"	1/4"	19/32"	27/32"
3355-6-2	3350-6-2	3/8"	1/8"	19/32"	11/16"
3355-6-6	3350-6-6	3/8"	3/8"	13/8"	15/16"
3355-6-8	3350-6-8	3/8"	1/2"	11/2"	15/32"
3355-8-6	3350-8-6	1/2"	3/8"	11/2"	15/16"
3355-8-4	3350-8-4	1/2"	1/4"	11/2"	15/16"
3355-8-8	3350-8-8	1/2"	1/2"	19/16"	15/32"
3355-8-12	3350-8-12	1/2"	3/4"	15/8"	13/16"
3355-10-8	3350-10-8	5/8"	1/2"	123/32"	15/32"
3355-10-6	3350-10-6	5/8"	3/8"	123/32"	31/32"
3355-10-12	3350-10-12	5/8"	3/4"	125/32"	13/16"
3355-12-12	3350-12-12	3/4"	3/4"	17/8"	13/16"
3355-12-8	3350-12-8	3/4"	1/2"	17/8"	17/32"
3355-14-12	3350-14-12	7/8"	3/4"	23/32"	11/4"
3355-16-16	3350-16-16	1"	1"	27/32"	115/32"
3355-16-12	3350-16-12	1"	3/4"	27/32"	11/4"
3355-20-20	3350-20-20	1 1/4"	1 1/4"	27/16"	121/32"
3355-24-24	3350-24-24	1 1/2"	1 1/2"	27/8"	13/4"
3355-32-32	3350-32-32	2"	2"	311/32"	23/32"

3355 / 3350 MALE 45° ELBOW FLARE TUBE END-MALE PIPE END

Example of Part No.: 3350-12 for 3/4" O.D. Tubing

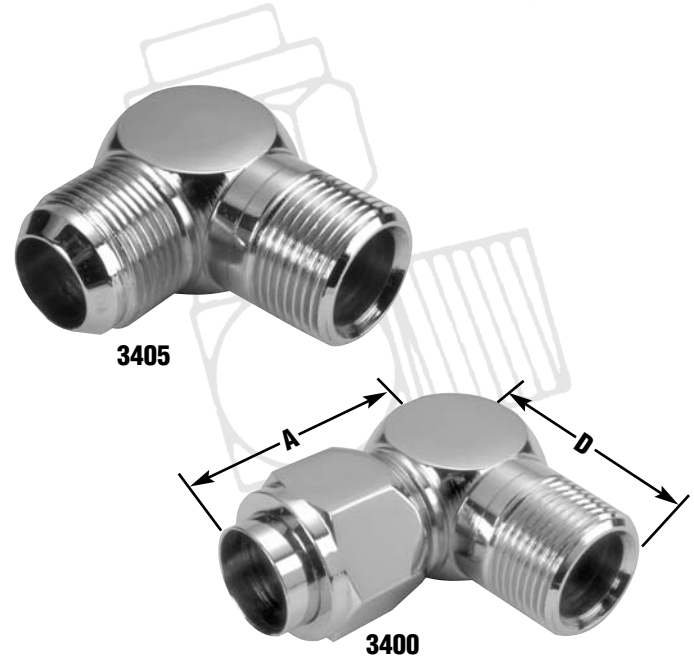


3405 / 3400 • Male Elbow

Body Only Part No.	Complete Assembly Part No.	Tube O.D.	Male Pipe Thread	"A" Tube Leg	"D" Male Pipe Leg
3405-2-2	3400-2-2	1/8"	1/8"	13/32"	23/32"
3405-3-2	3400-3-2	3/16"	1/8"	15/32"	23/32"
3405-4-2	3400-4-2	1/4"	1/8"	19/32"	25/32"
3405-4-4	3400-4-4	1/4"	1/4"	113/32"	13/32"
3405-4-6	3400-4-6	1/4"	3/8"	115/32"	17/32"
3405-5-2	3400-5-2	5/16"	1/8"	13/8"	25/32"
3405-5-4	3400-5-4	5/16"	1/4"	17/16"	13/32"
3405-6-4	3400-6-4	3/8"	1/4"	117/32"	13/32"
3405-6-2	3400-6-2	3/8"	1/8"	117/32"	7/8"
3405-6-6	3400-6-6	3/8"	3/8"	121/32"	17/32"
3405-6-8	3400-6-8	3/8"	1/2"	123/32"	115/32"
3405-8-6	3400-8-6	1/2"	3/8"	125/32"	17/32"
3405-8-4	3400-8-4	1/2"	1/4"	125/32"	15/32"
3405-8-8	3400-8-8	1/2"	1/2"	115/16"	115/32"
3405-8-12	3400-8-12	1/2"	3/4"	21/32"	19/16"
3405-10-8	3400-10-8	5/8"	1/2"	23/32"	115/32"
3405-10-6	3400-10-6	5/8"	3/8"	23/32"	13/8"
3405-10-12	3400-10-12	5/8"	3/4"	27/32"	119/32"
3405-12-12	3400-12-12	3/4"	3/4"	21/4"	119/32"
3405-12-8	3400-12-8	3/4"	1/2"	21/4"	19/16"
3405-12-16	3400-12-16	3/4"	1"	27/16"	131/32"
3405-14-12	3400-14-12	7/8"	3/4"	27/16"	111/16"
3405-16-16	3400-16-16	1"	1"	219/32"	131/32"
3405-16-12	3400-16-12	1"	3/4"	219/32"	123/32"
3405-16-20	3400-16-20	1"	1 1/4"	215/16"	23/8"
3405-20-20	3400-20-20	1 1/4"	1 1/4"	229/32"	23/8"
3405-20-16	3400-20-16	1 1/4"	1"	229/32"	23/8"
3405-20-24	3400-20-24	1 1/4"	1 1/2"	31/32"	25/8"
3405-24-24	3400-24-24	1 1/2"	1 1/2"	37/16"	25/8"
3405-24-20	3400-24-20	1 1/2"	1 1/4"	37/16"	25/8"
3405-32-32	3400-32-32	2"	2"	43/16"	3"
3405-32-24	3400-32-24	2"	1 1/2"	43/16"	3"

3405 / 3400 MALE ELBOW FLARE TUBE END-MALE PIPE END

Example of Part No.: 3400-12 for 3/4" O.D. Tubing



For body only, change the last number preceding the dash of part number from 0 to 5. Example: 3100-12-12 becomes 3105-12-12.

LENZ • P.O. BOX 1044 • DAYTON, OHIO 45401-1044 • PHONE: 937/277-9364 • FAX: 937/277-6516
OFFICE & FACTORY • 3301 KLEPINGER ROAD • DAYTON, OHIO 45406-1842
INTERNET: <http://www.lenzinc.com>